

Non-Louvered Vertical Pedestals (NLVP)

For CATV and Telecommunications Applications

An Evolant® Solutions Product

Corning
Cable Systems

Application

The Corning Cable Systems Non-Louvered Vertical Plastic Pedestals provide mounting facilities and security for taps, splitters and line extenders. Each pedestal comes equipped with your choice of either a galvanized or powder-coated mounting stake, as well as one of many optional bracketries to provide you with greater installation flexibility. Each mounting stake is equipped with slotted holes and offers easy installation of your hardware and equipment. During installation, simply bury the pedestal base to the desired depth and backfill. The mounting stake and pedestal top-slide channel add to the security and craft friendliness of pedestal assembly operation. A variety of locking options are available to address your specific security needs.

Description

The Corning Cable Systems non-louvered vertical plastic pedestals have a rectangular design with rounded corners. These pedestals are molded from a modified linear low-density polyethylene specifically designed to resist impact, ultraviolet and environmental degradation. Also, the Non-Louvered Vertical Plastic Pedestals support a wide range of logo options.

The “rock” pedestal is available as a complete stand alone pedestal or the rock top can be ordered separately for use in retrofit applications onto previously installed* 102 pedestals.

**102 pedestal bases must be equipped with the newer “2-bolt” lock assembly for proper lock operation*

Features / Benefits

- Secure and high-impact resistant
- Multiple lock, bracketry and color options to satisfy all hardware needs
- Craft-friendly cover slides easily into locking position
- All hardware and bracketry options are constructed of aluminum and/or stainless steel
- Drop holes utilize a replaceable grommet that is easily removed when a permanent drop is installed
- 360 degree access and rectangular shape provide increased working room



Non-Louvered Vertical Pedestals | Photo HWPSS1772

Non-Louvered Vertical Pedestals (NLVP)

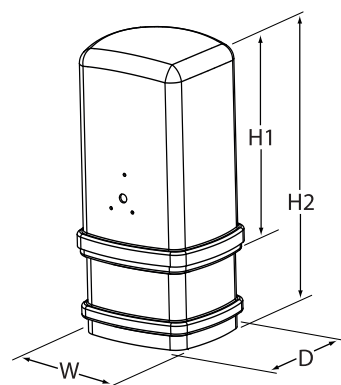
For CATV and Telecommunications Applications

An Evolant® Solutions Product

Corning
Cable Systems

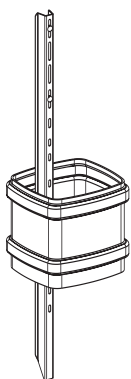
Specifications

Model	Internal Dimensions (in)			External Dimensions (in)
	Width	Depth	Cover Height	Overall Height
101	8	7	15	22
113	9	8	19	22
102	9	8	19	26
103	12	10	21	27
104	12	11	28	36
107	16	14	31	43

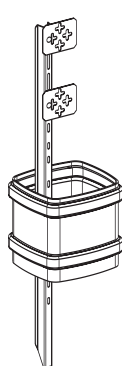


Pedestal with Cover | Drawing ZA-3075

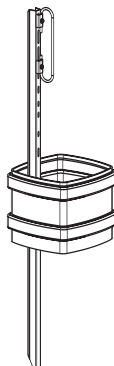
Bracketry Choices



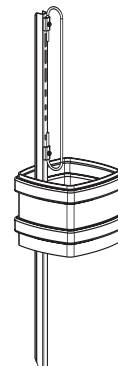
A - Stake Only |
Drawing ZA-3043



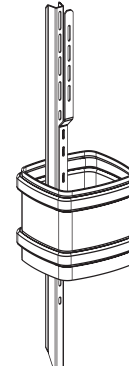
B - Stake with Two Mounting
Flags | Drawing ZA-3044



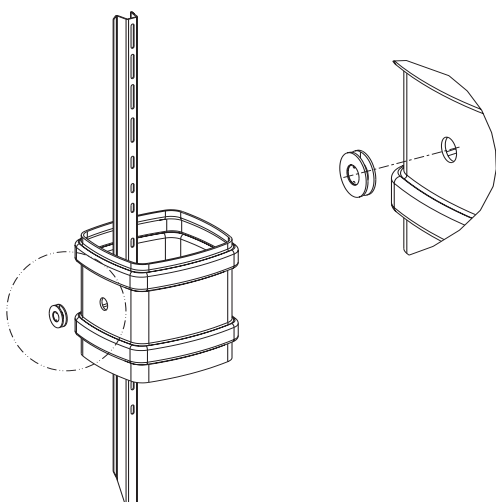
C - Stake with Short "C"
Bracket | Drawing ZA-3072



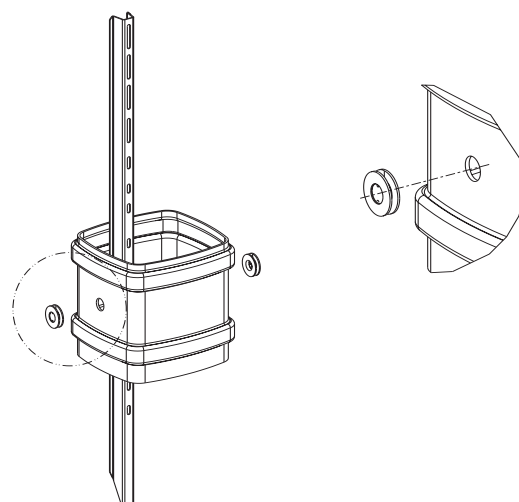
D - Stake with Long "C"
Bracket | Drawing ZA-3071



E - Stake with Flat Bracket |
Drawing ZA-3047



Pedestal Available with One Drop Hole | Drawing ZA-3034



Pedestal Available with Two Drop Holes | Drawing ZA-3035

Non-Louvered Vertical Pedestals (NLVP)

For CATV and Telecommunications Applications

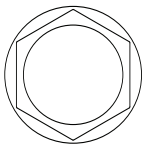
An Evolant® Solutions Product

Corning
Cable Systems

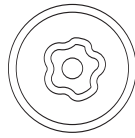
Lock Options

Corning Cable Systems offers a variety of lock options including the popular slam-lock option. This lock option consists of a spring-loaded lock (hook) installed in the pedestal top that automatically engages a base catch installed in the pedestal base. No tools are required for lock activation. Simply align the pedestal top over its base and let go. The top drops onto the base and automatically engages the lock. An audible metallic click signifies that the pedestal is properly locked. The lock (hook) is unlocked by a 1/4 turn rotation of the tamper-proof bolt. Available patterns shown below.

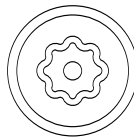
Tamper-Proof Bolt Patterns and Other Options



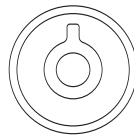
Sems Bolt | ZA-3046



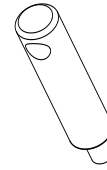
082 | ZA-3049



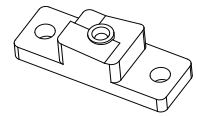
801 | ZA-2484



SCCP | ZA-3042



Locking Hasp | ZA-2497



Self-Locking
Left/Right | ZA-2499

Ordering Information

- -

1
 2
 3 4 5
 6

1 Select pedestal model.

- 101
- 102
- 103
- 104
- 107
- 113*

*Size equivalent to standard 102 but in the shape of a rock.

2 Select lock.

- SS07 = Sems 7/16 bolt slam lock
- S801 = Pattern 801 slam lock
- S082 = Pattern 82 slam lock
- SCCP = Pattern P-key slam lock
- LSL0 = Self-locking left
- LSR0 = Self-locking right
- H011 = Locking hasp 11 mm hole

Note: Contact your sales representative for any specific needs not shown

3 Select color.

- 1 = Medium green
- 2 = Pale light green
- 3 = Beige
- 4 = Forest green

Note: Contact your sales representative for any specific needs not shown

4 Select stake.

- 1 = Galvanized steel stake
- 2 = Powder-coated galvanized steel stake

To select an optional mounting stake per the chart at right, choose the letter code that applies.

Note: Contact your sales representative for any specific needs not shown

Standard Mounting Stake (in)

Model	Length	Code = 1	Code = 2
101	31	Galvanized	Powder-coated
102	31	Galvanized	Powder-coated
103	40	Galvanized	Powder-coated
104	54	Galvanized	Powder-coated
107	64	Galvanized	Powder-coated
113*	31	Galvanized	Powder-coated

Optional Mounting Stake Lengths (in)

Code	Length	Finish
A	40	Powder-coated
B	40	Galvanized
C	54	Powder-coated
D	54	Galvanized
E	64	Powder-coated
F	64	Galvanized



Non-Louvered Vertical Pedestals (NLVP)

For CATV and Telecommunications Applications

An Evolant® Solutions Product

Corning
Cable Systems

Ordering Information (continued)

5 Select bracketry.

Use pictures on page 2 with matrix below to determine desired bracketry code.

Model	Bracketry Options					With One Drop Hole					With Two Drop Holes				
	A	B	C	D	E	A1	B1	C1	D1	E1	A2	B2	C2	D2	E2
101	000	–	024	–	064	030	–	031	–	066	050	–	059	–	566
102	000	001	024	–	064	030	035	031	–	066	050	036	059	–	566
103	000	001	024	–	064	030	035	031	–	066	050	036	059	–	566
104	000	001	024	005	064	030	035	031	032	066	050	036	059	532	566
107	000	001	024	005	–	030	035	031	032	–	050	036	059	532	–
113	000	001	024	–	064	030	035	031	–	066	050	036	059	–	566

Note: Contact your sales representative for any specific needs not shown

6 Select logo.

0000 = Television
 CATV = CATV
 BKLK = No logo/blank
 CHLG = Charter
 COLT = Cable One
 COXL = Cox
 CTLG = Comcast
 MCLG = Mediacom
 TWLG = Time Warner

Note: Contact your sales representative for any specific needs not shown

Example Part Numbers

Model	Description
102-S801-1B000BKLK	Model 102 Pedestal with a pattern 801 slam lock molded in medium green equipped with a 40-in galvanized mounting stake and no logo
102-S801-41000CATV	Model 102 Pedestal with a pattern 801 slam lock molded in dark forest green equipped with a 31-in galvanized mounting stake and CATV logo

Accessories

Part Number	Description
C216C-01	Cam Wrench 3/8 x 7/16 in
DIVKEY-82	Key, pattern 082
DIVKEY-801	Key, pattern 081
DIVKEY-SCCP	Key, pattern P-Key (SCCP)
SLK-L	Key, self-locking, left
SLK-R	Key, self-locking, right
VPEO-GK-RP	Replacement Grommets (25 per bag)



Corning Cable Systems LLC • PO Box 489 • Hickory, NC 28603-0489 USA

800-743-2675 • FAX: 828-901-5973 • International: +1-828-901-5000 • www.corning.com/cablesystems

Corning Cable Systems reserves the right to improve, enhance and modify the features and specifications of Corning Cable Systems products without prior notification. Evolant is a registered trademark of Corning Cable Systems Brands, Inc. Discovering Beyond Imagination is a trademark of Corning Incorporated. All other trademarks are the properties of their respective owners. Corning Cable Systems is ISO 9001 certified.

©2007 Corning Cable Systems. All rights reserved. Published in the USA. EVO-673-EN / January 2007