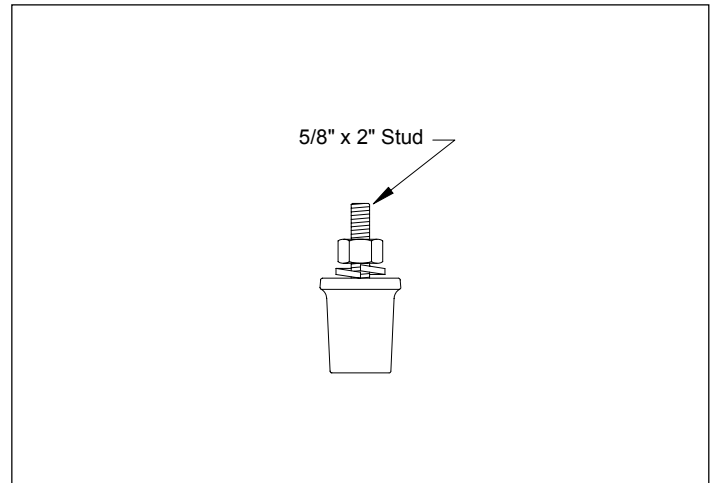
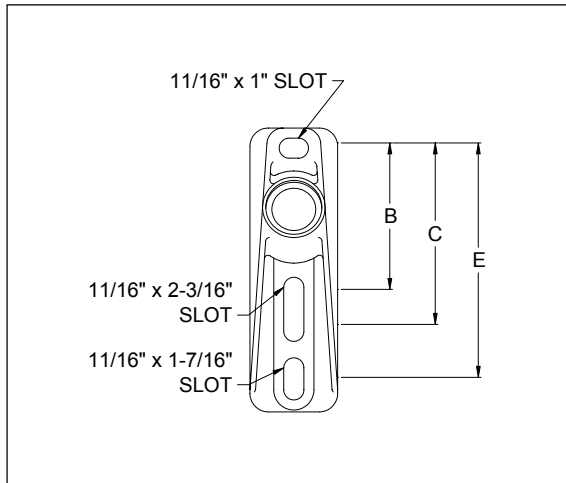
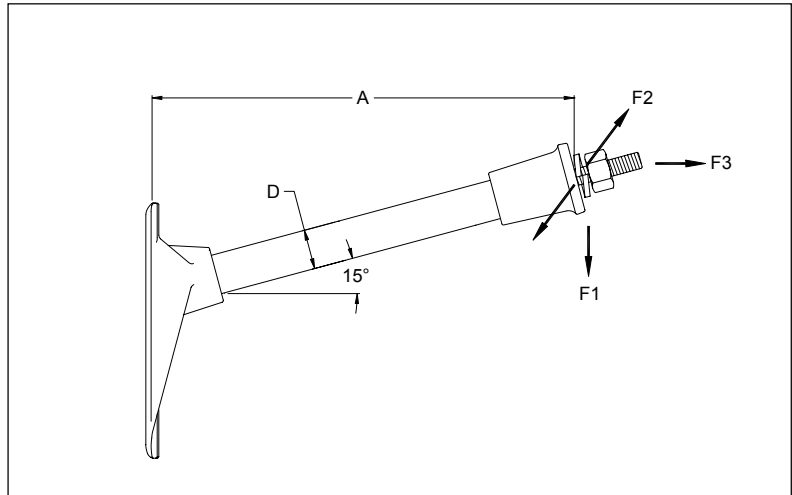


Features

Accepts 5/8" mounting hardware.
Cleats to prevent bracket rotation on wood poles.

Material

Base: Ductile Iron, Hot-Dip Galvanized
ASTM A-153
End Fitting: Aluminum, A356-T6
Rod: Fiberglass, MPS gray ultraviolet (UV)
protective coating



Catalog #	Dimensions (in.)		Min. Ultimate Load (lbs.)			Bolt Spacing (in.)			Weight (lbs.)
	A	D	F1 Vert.	F2 Long.	F3 Trans.	B	C	E	
G1MDA112AF	12	1.5	1850	1600	1500	5	6	8	5.8
G1MDA115AF	15	1.5	1500	1300	1500	5	6	8	6.2
G1MDA118AF	18	1.5	1200	1200	1500	5	6	8	6.6
G1MDA121AF	21	1.5	1050	1050	1500	5	6	8	7.0
G1MDA124AF	24	1.5	950	950	1500	5	6	8	7.4
G1MDA130AF	30	1.5	750	750	1500	5	6	8	8.2

Notes:

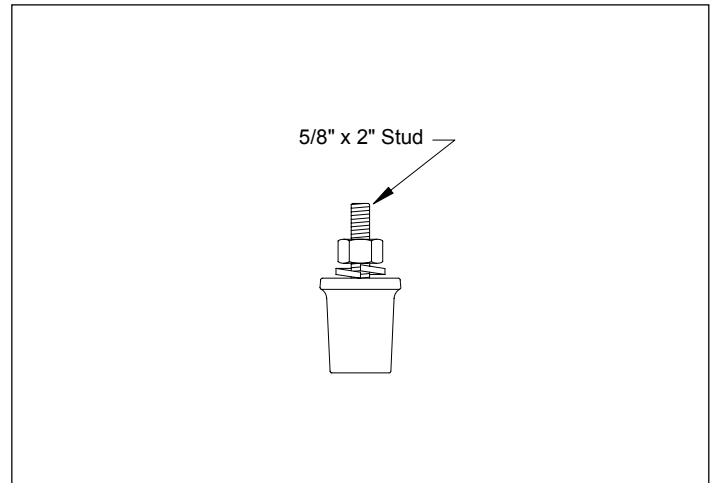
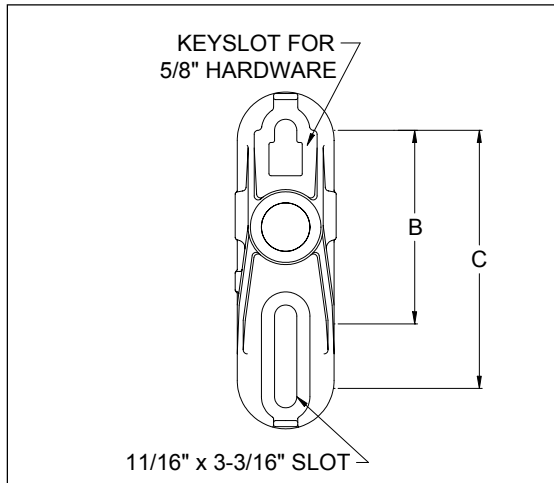
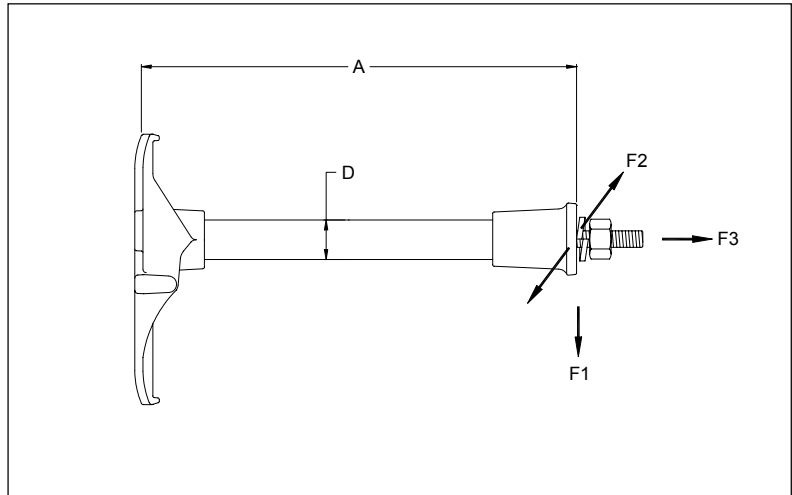
- 1) Lengths shown are considered standard; for other lengths consult factory.
- 2) Add "SC" for silicone coated rod (harsh environments).
- 3) For other options, thread sizes and optional bases and end fittings, reference Fiberglass Catalog Numbering System Matrix.

Features

Accepts 5/8" mounting hardware.
 Tab retainers for banding to pole.
 Keyhole for ease of installation on top bolt.

Material

Base: Ductile Iron, Hot-Dip Galvanized
 ASTM A-153
 End Fitting: Aluminum, A356-T6
 Rod: Fiberglass, MPS gray ultraviolet (UV)
 protective coating



Catalog #	Dimensions (in.)		Min. Ultimate Load (lbs.)			Bolt Spacing (in.)		Weight (lbs.)
	A	D	F1 Vert.	F2 Long.	F3 Trans.	B	C	
G1MA0112AF	12	1.5	1850	1600	1500	6	8	3.7
G1MA0118AF	18	1.5	1200	1200	1500	6	8	4.4
G1MA0121AF	21	1.5	1050	1050	1500	6	8	4.8

Notes:

- 1) Lengths shown are considered standard; for other lengths consult factory.
- 2) Add "SC" for silicone coated rod (harsh environments).
- 3) For other options, thread sizes and optional bases and end fittings, reference Fiberglass Catalog Numbering System Matrix.

Features

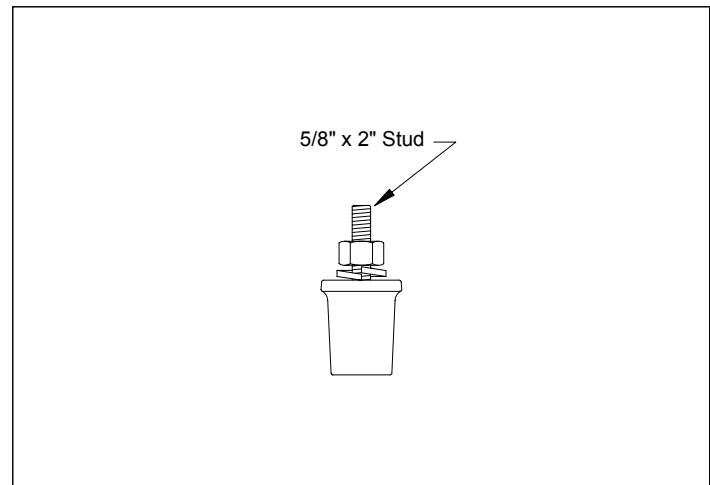
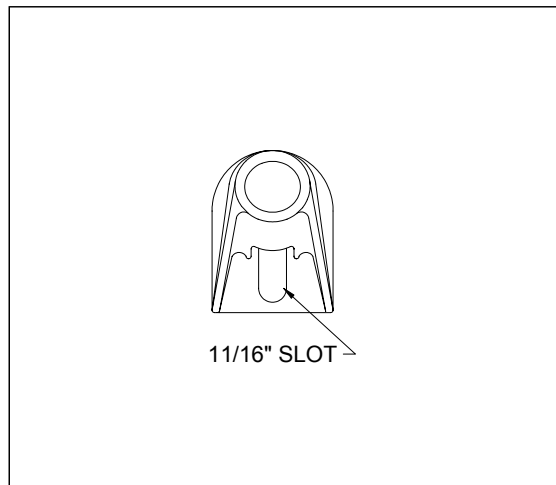
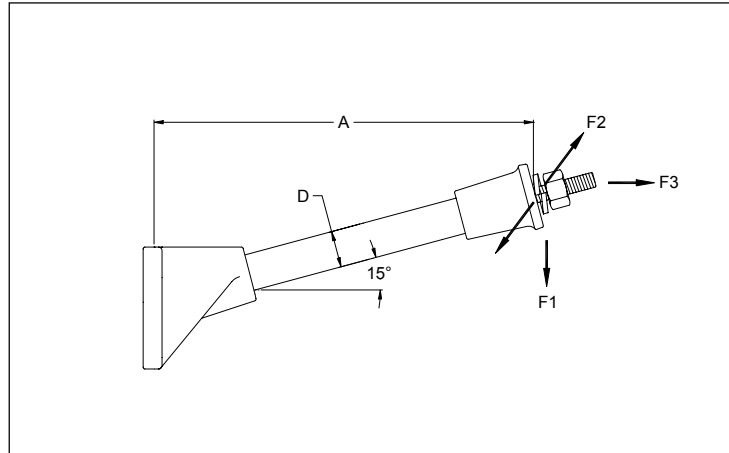
Accepts 5/8" mounting hardware.

Material

Base: Aluminum, A356-T6

End Fitting: Aluminum, A356-T6

Rod: Fiberglass, MPS gray ultraviolet (UV) protective coating



Catalog #	Dimensions (in.)		Min. Ultimate Load (lbs.)			Weight (lbs.)
	A	D	F1 Vert.	F2 Long.	F3 Trans.	
G1MAJ112AF	12	1.5	1000	800	1500	3.4
G1MAJ116AF	16	1.5	800	600	1500	3.9

Notes:

- 1) Lengths shown are considered standard; for other lengths consult factory.
- 2) Add "SC" for silicone coated rod (harsh environments).
- 3) or other options, thread sizes and optional bases and end fittings, reference Fiberglass Catalog Numbering System Matrix.